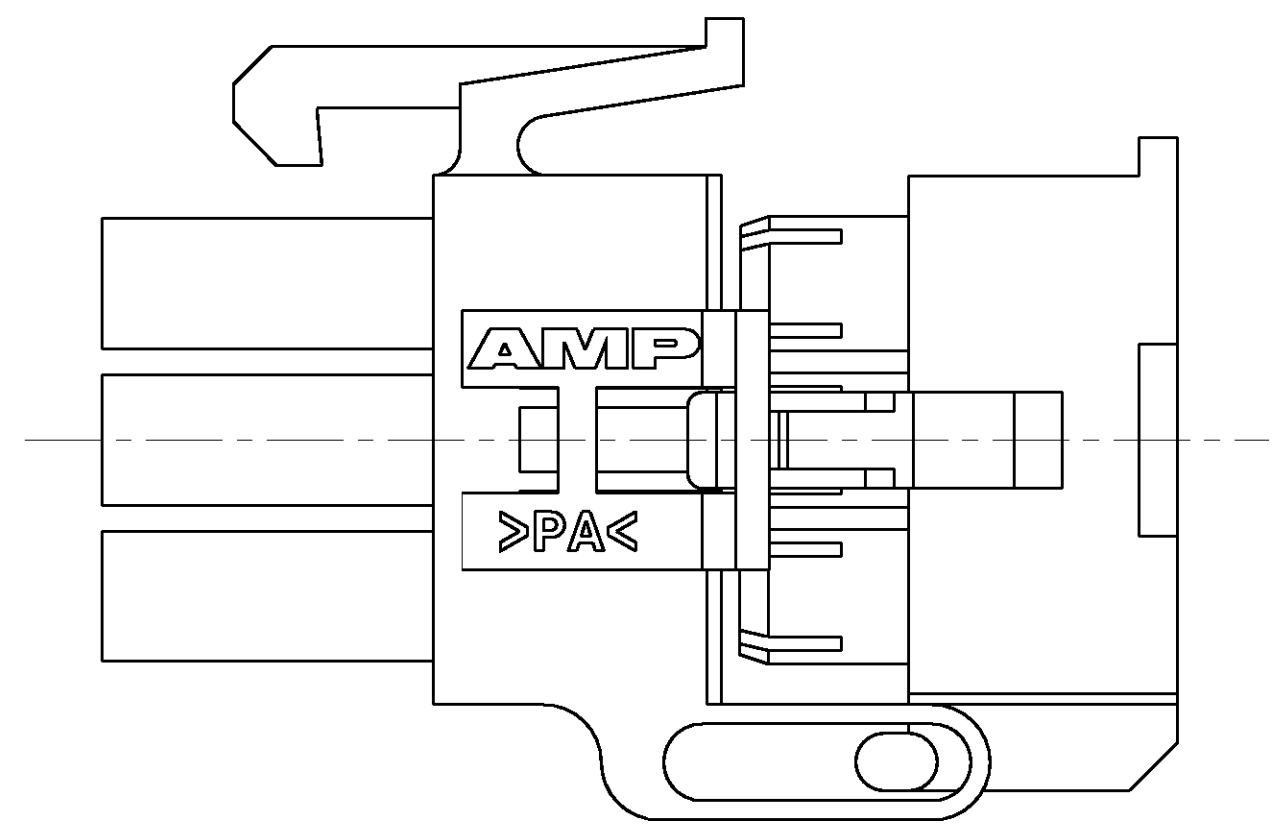
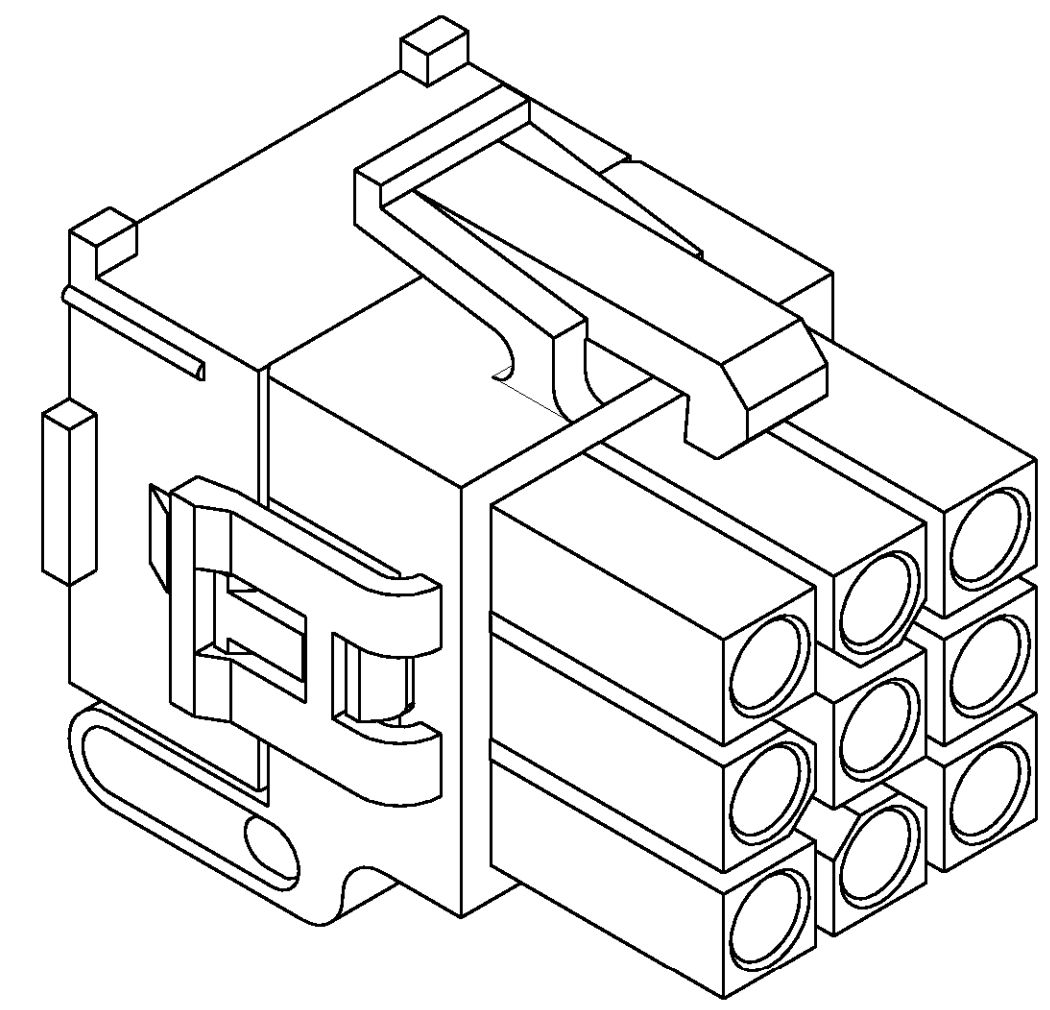
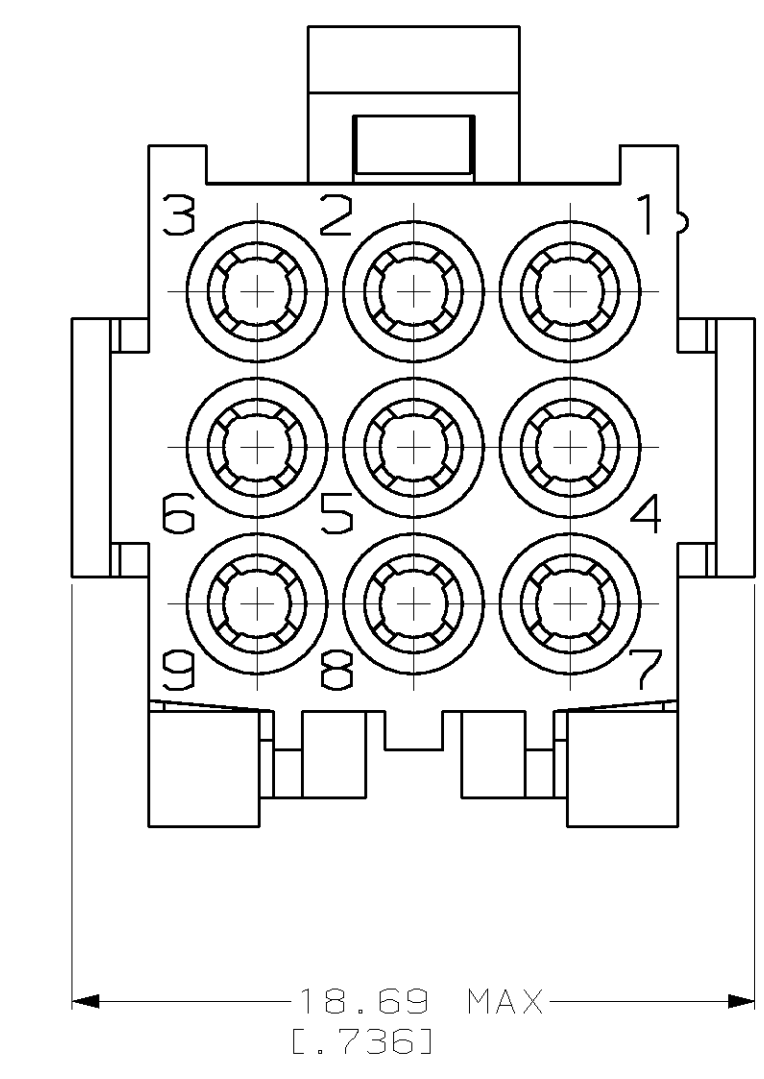
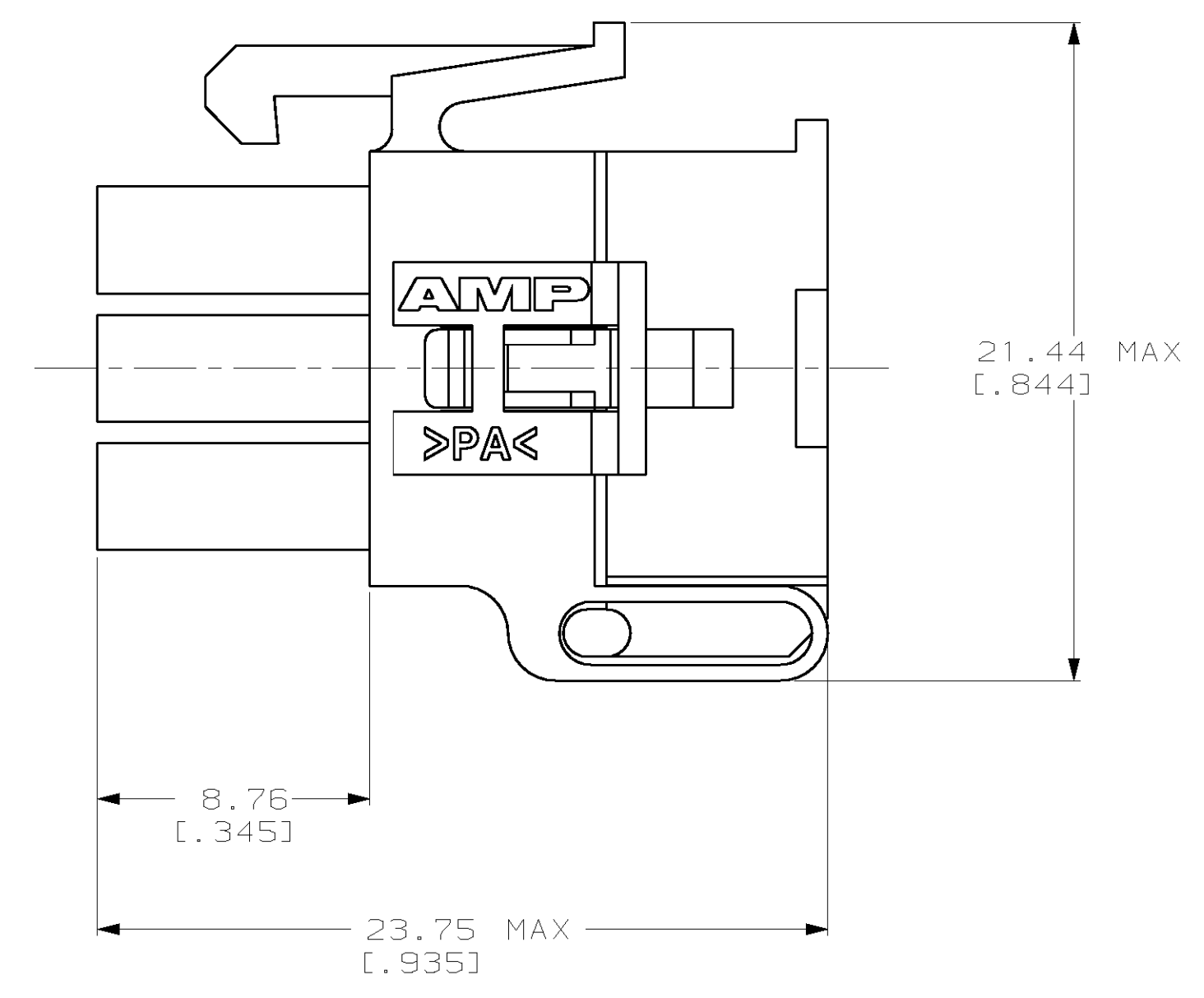
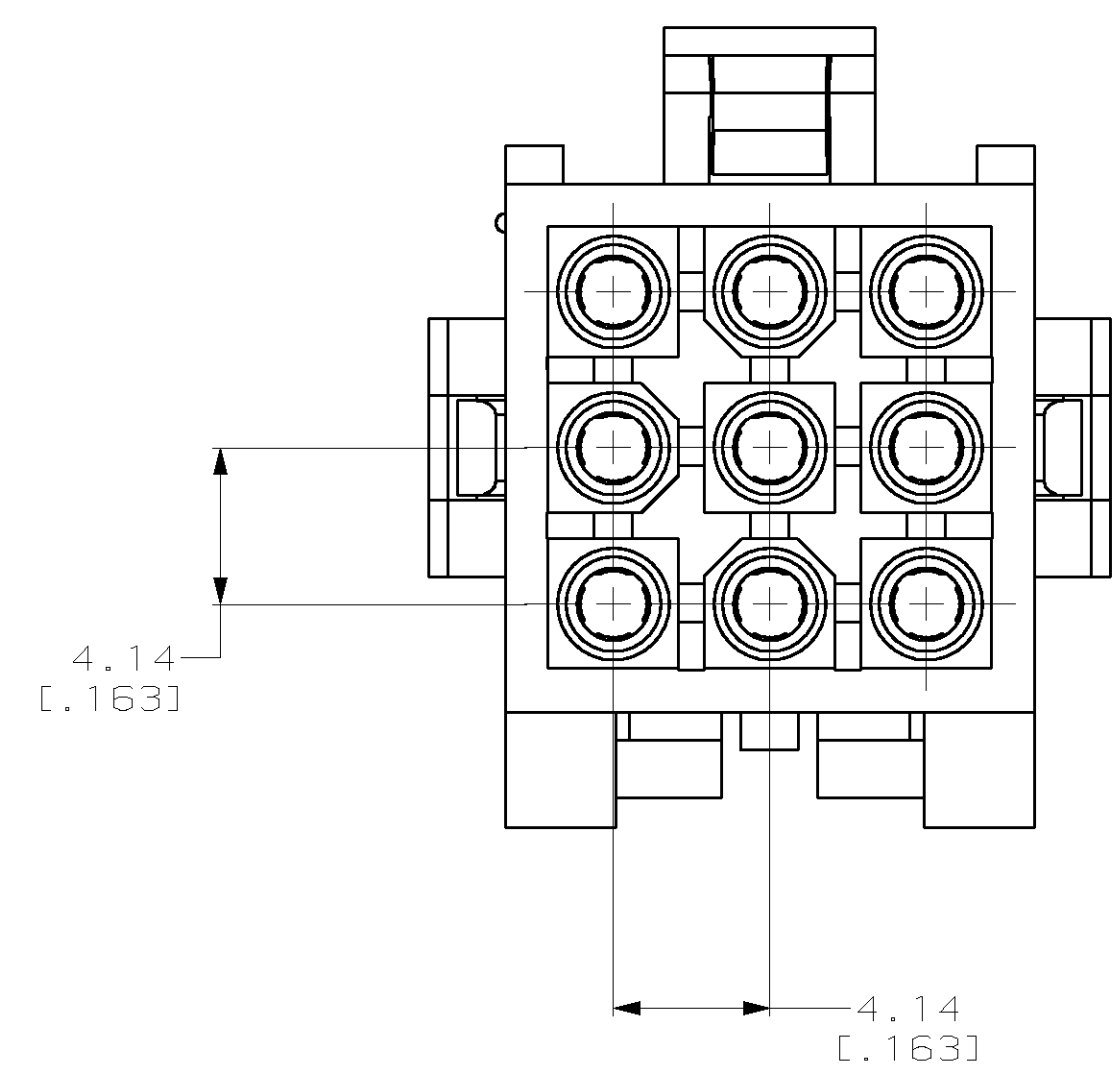


LOC		DIST		REVISIONS			
F	CHR	DATE	BY	APPROV	DESCRIPTION	DATE	BY
B		23-SEP-99	KW	KC	REV PER EC 061B-0094-99		



PRE-STAGED CONDITION

1. DIMENSIONS IN BRACKETS ARE IN INCHES.



3-DIMENSIONAL MODEL
NTS

794194-1
PART NUMBER

METRIC

THIS DRAWING IS A CONTROLLED DOCUMENT.		DWN K. WHITAKER 5-14-97	AMP AMP Incorporated Harrisburg, PA 17105-3608
		CHK R. SWING 5-14-97	
DIMENSIONS:		APPROV S. ORSTAD 5-14-97	NAME PLUG, 9 CIRCUIT, MINI UNIVERSAL MATE-N-LOK™ 2
TOLERANCES UNLESS OTHERWISE SPECIFIED:		PRODUCT SPEC	APPLICATION SPEC
mm	0 PLC ±		
	1 PLC ±		
	2 PLC ±0.13 [0.005]		
	3 PLC ±		
	4 PLC ±		
	ANGLES 40°±30°		
MATERIAL NYLON, UL 94V-0, NATURAL	FINISH -	WEIGHT -	RESTRICTED TO
CUSTOMER DRAWING		SCALE 5:1	SHEET 1 OF 1